

RMG Overhung Load Adapters

Rockford Manufacturing Group offers quality overhung load adapters in standard, SAE A, SAE B, SAE C, SAE D and custom designed to meet your exact application requirements.

We have many successful years of field experience to insure our quality and reliability.

SAE and DIN Overhung Load Adapters

Furnished with pre-heat-treated 4140 shafting, these input shaft assemblies are primarily intended to:

- Permit easy adaptation of standard electric motors to gear reducers and clutches which normally interface only with hydraulic motors.
- Permit the adaptation of belts and pulleys (instead of direct "plug in" hydraulic motors).
- Permit the adaptation of belts and pulleys coupling an electric motor to gear reducers for use with Variable Frequency Drives.

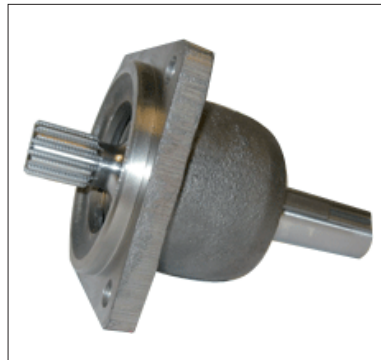
The use of belts and pulleys (on either hydraulic motors or electric motors) with gear reducers, torque Hubs or clutches can often solve space problems. Additionally, by being able to belt drive the transmission equipment, it is possible to enjoy a wider selection of reduction ratios, speed values, and service factors.



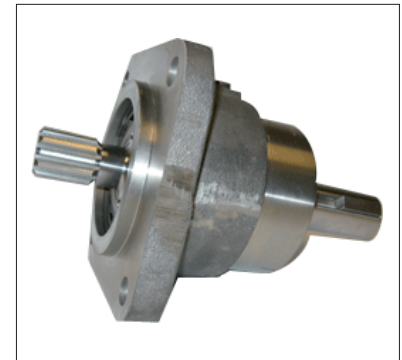
SAE A type adapter.



SAE B type adapter.

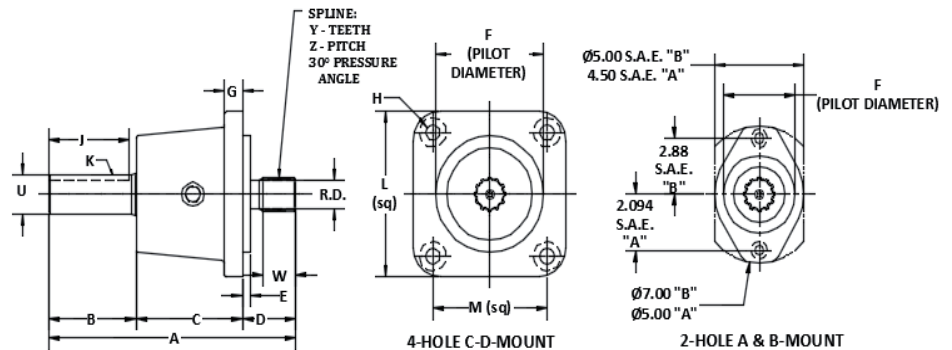


SAE C type adapter.



SAE D type adapter.

Standard SAE Overhung Load Adapters Dimensions



Mount	A	B	C	D	E	F	G	H	J
A	5.75	2.31	2.26	1.18	0.25	3.250-3.248	0.565	0.531	1.87
B	6.86	2.95	2.34	1.57	0.31	4.000-3.998	0.56	0.53	2.50
C	9.22	3.66	3.53	2.03	0.38	5.000-4.998	0.656	0.56	3.31
D	13.75	4.86	5.91	2.98	0.43	6.000-5.998	1	0.813	4.26

Mount	K-Keyway	L	M	R.D.	U	W	Y	Z	Weight in lbs
A	.125X.250	---	---	---	1.125-1.124	1.80	9	16/32	5.50
B	.156X.312	---	---	0.719	1.375-1.374	1.40	13	16/32	11.50
C	.188x.375	5.75	4.50	1.045	1.500-1.499	0.81	14	12/24	19.00
D	.250x.500	8.5	6.36	1.451	2.000-1.999	0.69	13	8/16	52.50

NOTE:

- All dimensions are in inches and are subject to change without notice.
- Please verify all dimensions prior to ordering.
- Contact our sales department for more information.

RMG Overhung Load Adapters

Non-Standard Overhung Load Adapters

Most transmission equipment is installed with the axis horizontal. When this equipment is installed with the axis *vertical* and the input shaft assembly *above* the gear reducer or clutch, special provisions must be made for lubrication.

Non-Standard examples include:

- Sealed Bearing
- Spherical Bearing
- Special Shaft Material
- DIN Spline
- Special Shaft Configurations

RMG can custom design and build to any of your production requirements. Contact RMG factory office for details.

Overhung Load Adapters Bearing Load Ratings:

The chart below is based on a standard L_{10} bearing life, with a continuous perpendicular load located half way along it's length (B/2).

Bearing Load in pounds

	L_{10} Hours	Revolutions Per Minute					
		500	1000	1500	2000	2500	3000
S.A.E. A-Mount RMG# D0200.01	200	1005	797	697	633	588	553
	500	740	588	513	466	433	407
	1000	588	466	407	370	344	323
	1960	469	373	326	296	275	258
	3000	407	323	282	257	238	224
	4100	367	291	255	231	215	202
S.A.E. B-Mount RMG# D0159	200	1125	893	780	709	658	619
	500	829	658	575	522	485	456
	1000	658	522	456	414	385	362
	1960	526	417	365	331	307	289
	3000	456	362	316	287	267	251
	4100	411	326	285	259	240	226
S.A.E. C-Mount RMG# D0266	200	1638	1300	1136	1032	958	901
	500	1207	958	837	760	706	664
	1000	958	760	664	603	560	527
	1960	765	607	531	482	448	421
	3000	664	527	460	418	388	365
	4100	598	475	415	377	350	329
S.A.E. D-Mount RMG# D1311	200	4902	3890	3399	3088	2866	2697
	500	3611	2866	2504	2275	2112	1987
	1000	2866	2275	1987	1806	1676	1577
	1960	2290	1818	1588	1443	1339	1260
	3000	1987	1577	1378	1252	1162	1094
	4100	1791	1421	1242	1128	1047	986
5100	1665	1322	1155	1049	974	916	



ROCKFORD MANUFACTURING GROUP INC. • FASTENER ENGINEERS & LEWIS MACHINE

14343 INDUSTRIAL PARKWAY SOUTH BELOIT, ILLINOIS 61080

Phone 815.624.2500 Fax 815.624.7254

Email info@rmgfm.com Website www.rmgfm.com

