

RMG DL 3300 Prefeeder

5.9

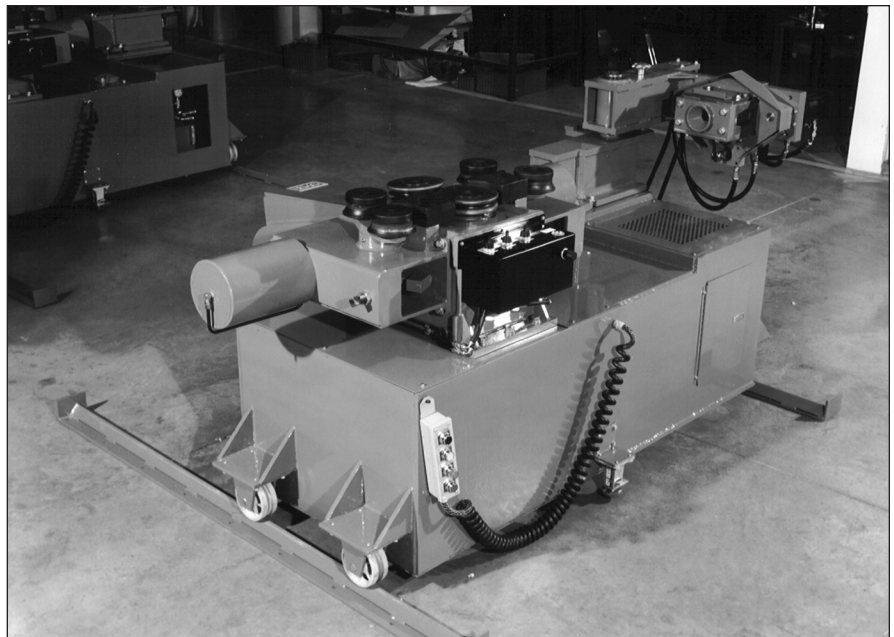
The RMG DL3300 Prefeeder is especially suited for high-speed bull blocks, as coil changeover and pointing time can be minimized. At the same time, the system enables use of the relative tangle-free attributes of turntable uncoiling.

Benefits

1. Used in set-up of large diameter (5/8"/15.9 mm to 1"/25.4 mm) material when consumption rates exceed the rating of a power-driven uncoiler.
2. A commonly purchased option is a chain pulling attachment to pull the end of the coil over to the feedhead.
3. Uses standard power-driven uncoiler feed rolls.
4. Dual integrated straightening heads; includes simple, one-stop adjustment for straightening.
5. Provision can be made for moving the unit away from the wire line to a standby position.

Standard Features

- Standard 8" (200 mm) feedhead.
- Portable remote control station.
- Electrical interlocks.



RMG DL3300 Prefeeder



Chain Puller Attachment

RMG's space-saving "Z" configuration allows flipping where space constraints have previously prohibited use.

RMG Z-Flippers

5.10

Recognized as the industry's most rugged coil stand, the RMG Z-Flipper is designed to accommodate two coils and permits continuous pay-off of wire or rod when used in conjunction with an in-line wire drawing machine.

Operation

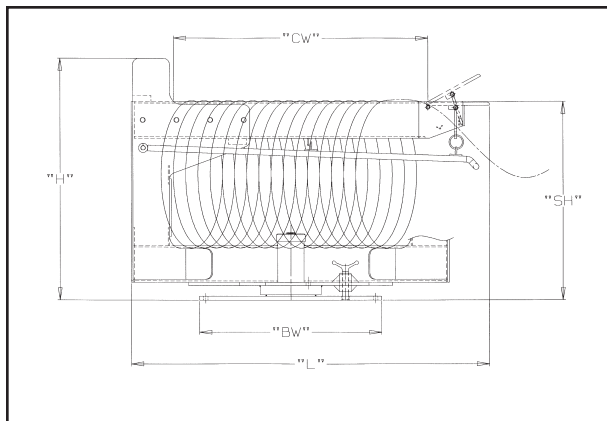
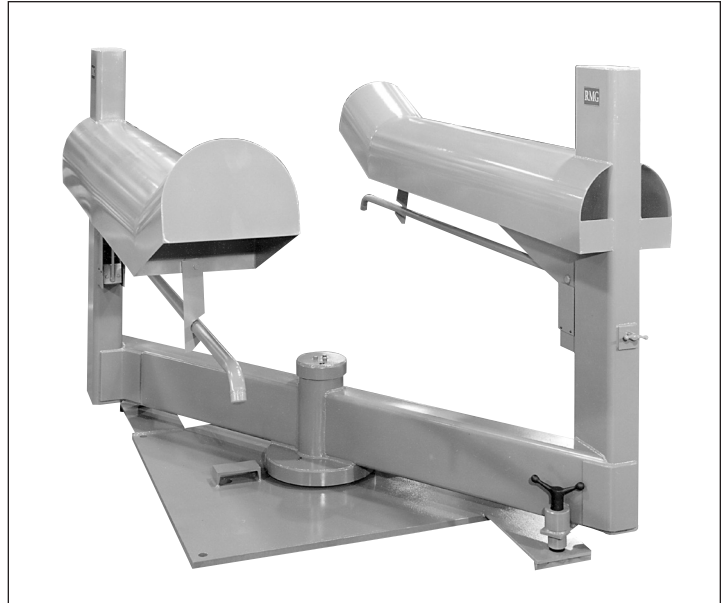
The active coil is pulled off while the stand-by coil is loaded. While the production machine continues to produce parts, the operator unbands the stand-by coil and butt welds the head-end to the tail-end of the active coil. When the active coil is depleted, the operator turns the flipper to bring the stand-by coil into position while the production machine continues to produce parts. No downtime is required for coil changeover.

Features and Benefits

1. The combination of the lower restrainer bar and the upper escapement ramp allows only one loop to exit at a time, minimizing the chance of tangling. The lower escapement has an adjustable spring tension for fine tuning wire behavior.
2. Coil weight is not a limiting factor. These units are designed to accommodate any coil providing its size, when unbanded, does not exceed the CW dimension.
3. Equipped with tapered roller anti-friction bearings and a heavy-duty stop, the RMG flipper is regarded by operators as the easiest to rotate and position.
4. No special foundations required. Standard anchor bolts are used.
5. Flippers are available with rectangular tubular arms for diameters over .375" (9.5 mm). Saddles are recommended for smaller diameters.

RMG Z-Flipper with saddle option.

Note: RMG flippers are also available in an "S" configuration (mirror image of "Z" flipper) to accommodate creative floor plans.



Specifications

Max. Rec. Rod Diameter	Mild Steel	5/8" (16 mm)
	Alloy	9/16" (14 mm)
Dimensions	"L" Length	117" (2985 mm)
	"BW" Width	60" (1524 mm)
	"H" Height	79" (2000 mm)
	"SH" Saddle Height	65" (1651 mm)
	"CW" Coil Width	84" (2134 mm) Standard
	"CW" Coil Width	108" (2743 mm) Extended
Flipper Weight	4860 lbs. (2205 kg)	



ROCKFORD MANUFACTURING GROUP INC.

14343 INDUSTRIAL PARKWAY • SOUTH BELOIT, ILLINOIS 61080

PHONE 815.624.2500 • FAX 815.624.7254 • EMAIL: rmgfelm@rmgfelm.com • Website: www.rmgfelm.com