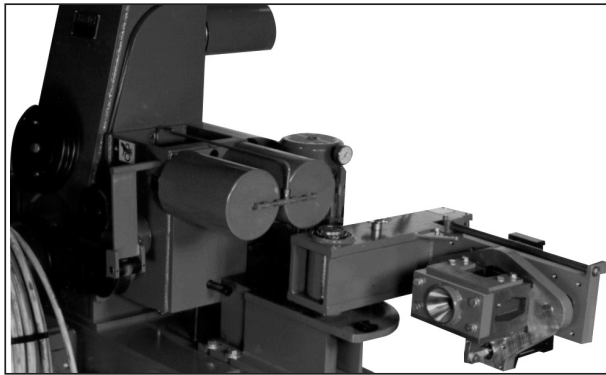


RMG Pointing Equipment

Hydraulic Push Pointer HPP-100 and HPP-1750

Features and Benefits

- No tools required to change the grips, die and guide.
- Manual valves (joy sticks) provide accurate and smooth control.
- Wheels attached for portability.
- Can be used without interrupting production.
- Auto polarity correction.



The HPP-100 push pointers can also be mounted onto our 1216 and 2024 uncoilers.



The HPP-100 and HPP-1750 hydraulic push pointers are perfect for pointing larger diameter wire off-line.

HPP-100 Specifications

Maximum Push Force	30,000 lbs. (13,600 kg)
Maximum Wire Diameter	1.00" (25.4 mm)
Minimum Wire Diameter	0.63" (15.9 mm)
Overall Dimensions <i>(will vary with wire line height)</i>	52" L x 52" H x 30" W (1320 mm x 1320 mm x 760 mm)
Shipping Weight	1,550 lbs. (700 kg)
Cycle Time	Aprox. 1 minute
Wire Line Height	43.5" (1105 mm)

HPP-1750 Specifications

Maximum Push Force	75,000 lbs. (34,020 kg)
Maximum Wire Diameter	1.75" (44.5 mm)
Minimum Wire Diameter	1.00" (25.4 mm)
Overall Dimensions	72" L x 67" H x 49" W (1829 mm x 1702 mm x 1245 mm)
Shipping Weight	4,140 lbs. (1878 kg)
Cycle Time	Aprox. 1 minute
Wire Line Height	60.0" (1524 mm)

Contact the factory for custom wire line heights.



ROCKFORD MANUFACTURING GROUP INC. • FASTENER ENGINEERS & LEWIS MACHINE

14343 INDUSTRIAL PARKWAY SOUTH BELOIT, ILLINOIS 61080

Phone 815.624.2500 Fax 815.624.7254

Email rmgfelem@rmgfelem.com Website www.rmgfelem.com

